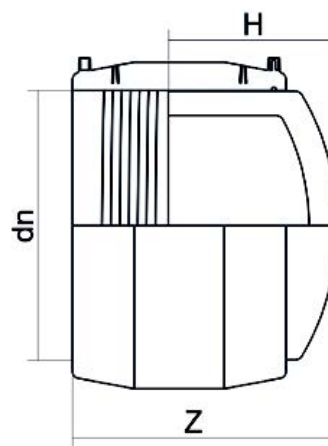


????

????



PRODUCT DETAILS		GEOMETRIC CHARACTERISTICS	
ITEM CODE	CAEP280C	d_n	280
d_n	280	H [mm]	154
SDR DESIGN	11	Z [mm]	279
		Mass [kg]	11.08

*The pictures are for illustrative purposes only. the product may differ in color and / or some of its parts.

PLASTITALIA SPA reserves the right to revise this specification, while maintaining compliance with the requirements of the product without prior notice. Tolerance on diameters and thickness according to the standards unless otherwise specified. Tolerance: $\pm 5\%$